

PO Box 1847
Post Falls, ID 83877-1847
T 208-773-3885
F 208-773-3799
E <ContactUs@SummitEq.com>

Vertical balers
36"W
42"W
60"W
72"W
specialized
Horizontal closed-door balers
'B' series
'C' series
'D' series
'E' series
'F' series
specialized
Horizontal open-end balers
Standard-duty series
Heavy-duty 'B' series
Heavy-duty 'C' series
Heavy-duty 'D' series
Heavy-duty 'E' series
Heavy-duty 'F' series
specialized
Twin-ram balers
Standard-duty series
Heavy-duty series
Scrap metal balers
Drum crushers
Oil filter balers
Conveyors
Slider-bed
Chain-belt
Fluffers
Cart dumpers
Self-contained compactors
Stationary compactors
Vertical compactors

Design assistance with waste
and recycling flow, site fit, etc.

VICTOR

Vertical Compactor



Summit Equipment's VICTOR is designed to economize site space. When real-estate is expensive, a traditional horizontal compactor with its big container may just take up too much space. The VICTOR's footprint is only 76" × 90" so it fits where others won't. In this modern era, when most store waste is either pulled aside for recycling or is composted, the 4-, 5-, or 6-yard container (depending on the site) has plenty of capacity.

The VICTOR's containers are equipped with side fork pockets for easy waste company emptying, and the collection driver usually doesn't even have to leave the cab. Since the container has no opening except at the top, you won't have unsightly and smelly leakage to clean up. Best of all, the VICTOR can be connected to most existing through-wall doors that currently empty into roll-off compactors that extend out from the building.

The Summit Equipment VICTOR may be just what you need for economical disposal in a small space, or to replace that aging roll-off compactor.

*Engineered for Peak
Performance*

PRODUCTIVITY

- toss the trash, close the door, push the button and go!
- load several bags at once for fast processing
- platen teeth reduce volume by puncturing bags of waste
- lockable controls are simplified to guarantee quick processing
- no time wasted cleaning up leaking liquid typical with traditional compactors
- no loss of compactor while traveling to landfill; hauler can empty it on-site
- container contents compacted by powerful hydraulic system will reduce emptyings per week

DURABILITY

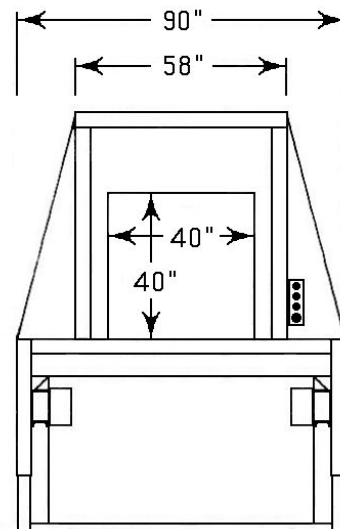
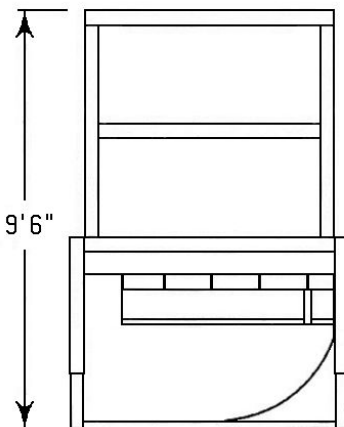
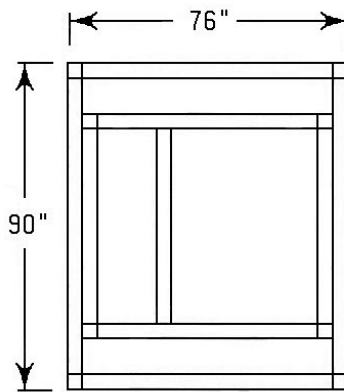
- seam welded at all key joints to ensure structural integrity
- container designed and built with structural rigidity to endure long-term compaction service
- built-in stops prevent container from "walking out" during compaction
- power unit protected from weather and vandalism in upper cabinet
- listed to UL508A & 73 standards
- built with industry-standard hydraulic and electrical parts for long life and serviceability

FLEXIBILITY

- Small footprint (76" x 90") allows placement in tight spaces
- 208, 240, 480 or 575 V. 3Ø or 230 V. 1Ø power (1.5hp)
- available with 4-cubic-yard container, or, with extendable legs, you can use 5-yard, or 6-yard containers
- controls right or left
- empty with standard front-load fork waste collection trucks

OPTIONS

- custom colors to match site
- small side door for lot loading
- control access requires keypad code



Optional keypad requires code to activate the VICTOR's controls

(Dimensions shown are for VICTOR-4, with 4-cubic-yard capacity bin.)

PRESENTED BY:

Summit Equipment, Inc.
 PO Box 1847
 Post Falls, ID 83877-1847
 T 208-773-3885
 F 208-773-3799
 E ContactUs@SummitEq.com

